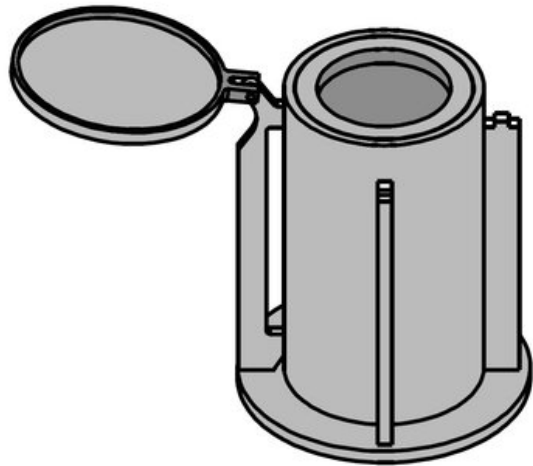


## Built-In Concrete Socket for Swivel Davit Crane, Zinc Plated



### Product information

Built-in concrete socket with zinc plating, suitable for all Swivel Davit cranes.

**Material:** Steel

**Finish:** Galvanized

**Part Code**

77001845

**Weight  
kg**

6

# Blueprint

