



Electric wire hoists 230 V / 50 Hz

Product information

Light and powerful electrical winch with height limit switch and rotating hook. Available also with longer control cables.

Optional wireless remote control:

- range 50 m (unobstructed visibility)
- functions: lift, lower and emergency stop
- IP65
- operating temperature -10 - (+)70°C
- size 190 x 70 x 50 mm
- 4 x AA batteries
- Product code: VAINOSHKAUKO

Features: IP54

Material: Steel

Marking: CE-marked

Finish: Painted, blue

Part Code	WLL ton	Lifting height m	Rope Ø mm	Lifting speed m/min.	Duty rating % ED	Hoist motor kW	Weight kg
VAINOSH230	0.23	30	5	19	35	1.3	21.5
VAINOSH300	0.3	60	5	12	35	1.3	28
VAINOSH500	0.5	30	7	12	35	1.8	28
VAINOSHKAUKO	-	-	-	-	-	-	-

Technical data

DIMENSIONS

Product	Control cable m	Electric cable m	Body width mm	Body depth mm	Body + chain min height mm
VAINOSH230	7	5	240	180	660
VAINOSH300	7	5	240	210	670
VAINOSH500	7	5	240		

SPARE PART STEEL WIRE ROPES

Product	Lenght m		Product code
Wire rope 5 mm	30	Thimble + preventer	VAINOSH230VA
Wire rope 7 mm	30	Thimble + preventer	VAINOSH500VA

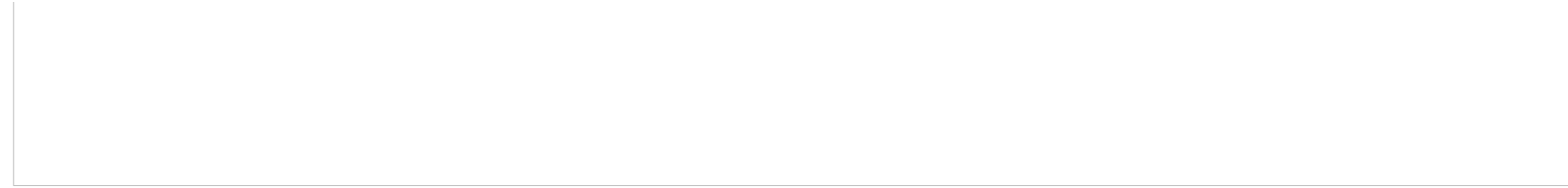
SPARE PARTS

Spare part (product code)	Description	Suitable for hoist (product code/-s)
KAPULA1	Pendant control for VAINOSH230/-300/-500	VAINOSH230, VAINOSH300, VAINOSH500
VAINOSHKJOHT	Control cable, assembly Incl. cable and pendant control Plug in the other end	VAINOSH230, VAINOSH300, VAINOSH500
VAINOSHKAAP	Control cable extension, length 10 m Plugs in both ends	VAINOSH230, VAINOSH300, VAINOSH500
VAINOSHVJOHT	Power cable Plugs in both ends, different type	VAINOSH230, VAINOSH300, VAINOSH500
VAINOSH230AKO	Bottom hook set Incl. fixing pins	VAINOSH230
VAINOSH230YKO	Top hook set	VAINOSH230

VAINOSH300AKO	Bottom hook set Incl. fixing pins	VAINOSH300, VAINOSH500
VAINOSH300YKO	Top hook set	VAINOSH300, VAINOSH500
VAINOSHKAUKO	Cordless remote control	VAINOSH230, VAINOSH300, VAINOSH500
VAINOSHOS24	Bridge type regulator Part no. 24	VAINOSH230, VAINOSH300, VAINOSH500
Also other spare parts available with a delivery time, ask our sales for more information		

VAINOSH230

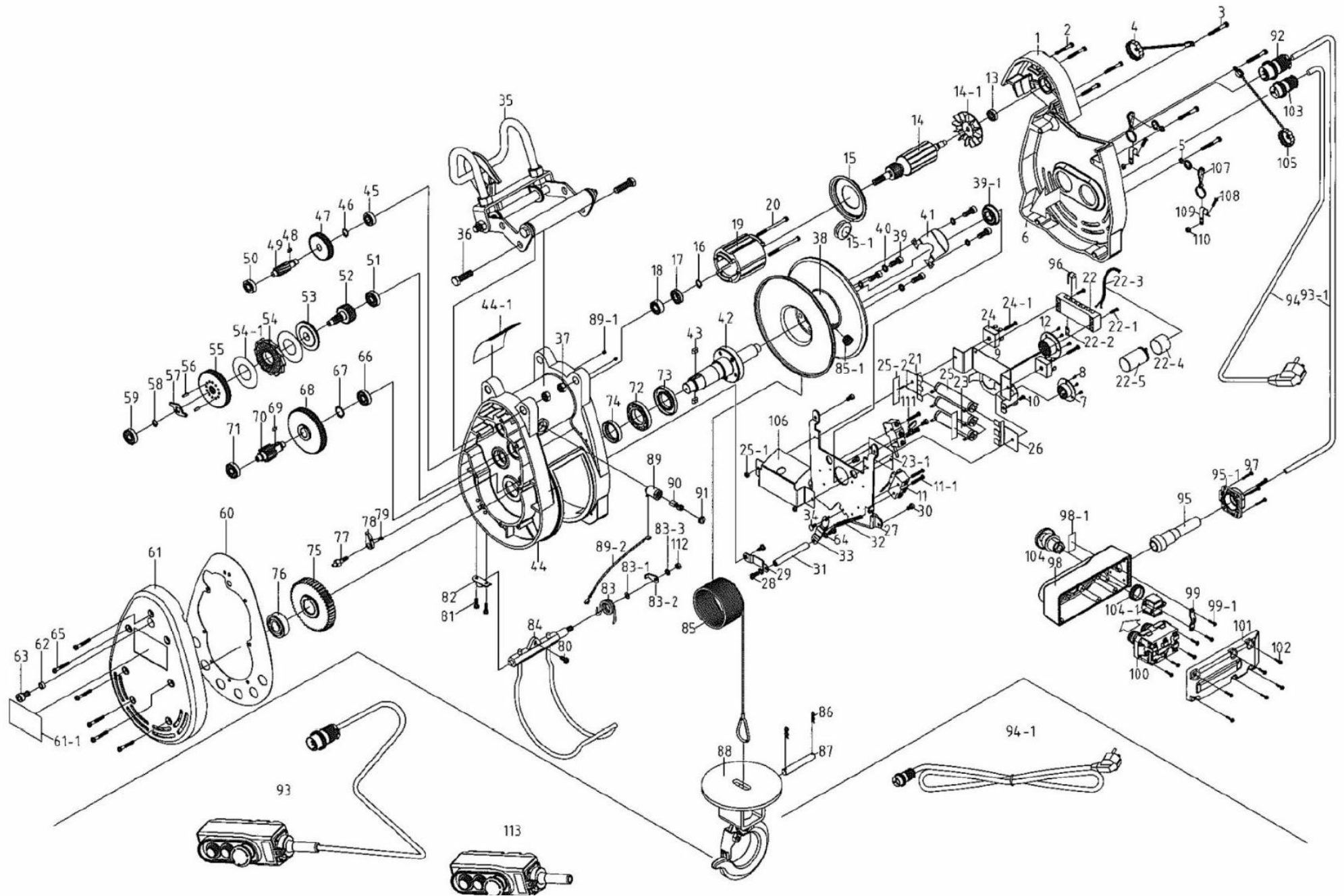




VAINOSH300



VAINOSH500



Blueprint

